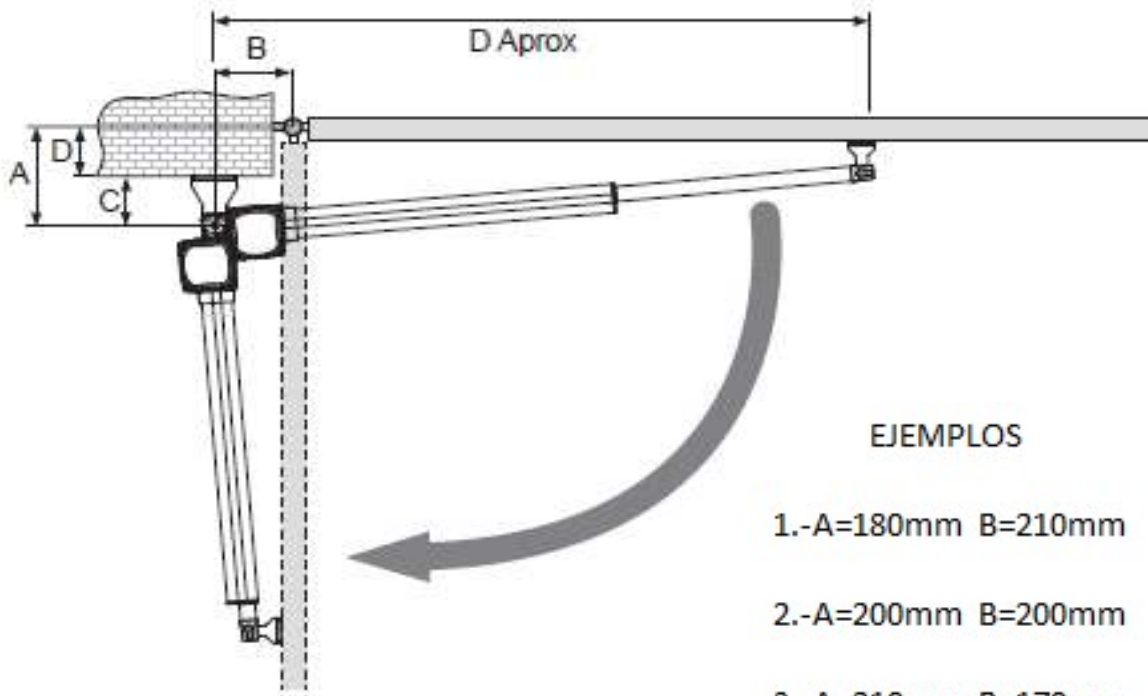


Cotas de instalación – Apertura interior



EJEMPLOS

- 1.-A=180mm B=210mm
- 2.-A=200mm B=200mm
- 3.-A=210mm B=170mm

A \ B	140	150	160	170	180	190	200	210
140								
150								
160								
170								
180								
190								
200								
210								

Diagram illustrating the installation dimensions for an interior opening. The dimensions shown are A, B, C, D, and D Aprox. A curved arrow points from the diagram towards the 'EJEMPLOS' section.

Apertura Interior